

CITYLINE

EXPRESS
Bookline Press

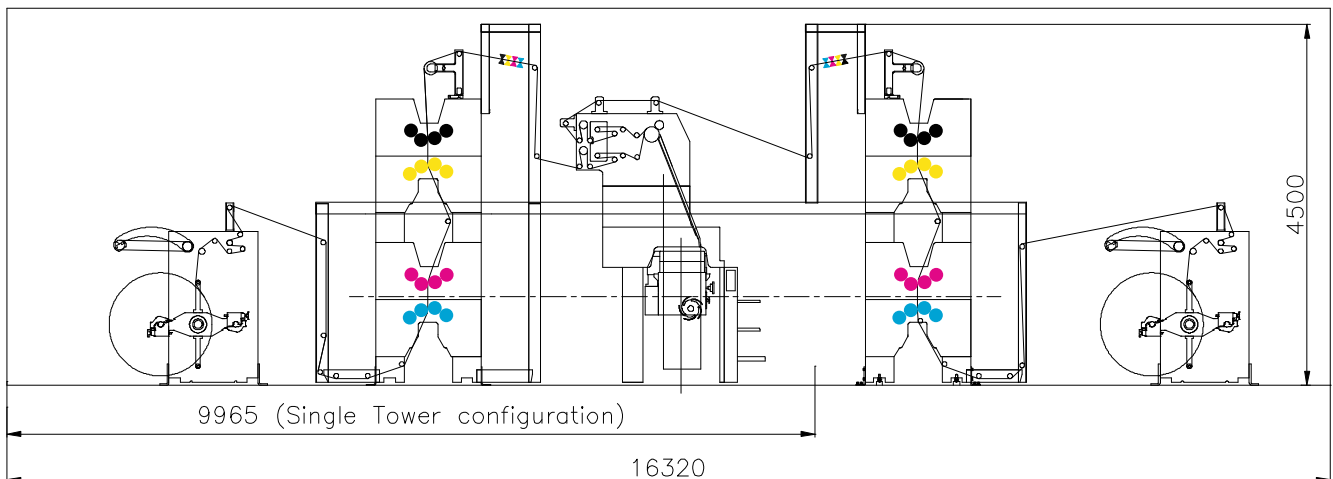
***Equipped with High Speed Bookline Folder
and Higher Level of Accuracy***



MANUGRAPH
Technology in Print

Specifications:

Max. Printing Speed		
- Quarter Fold	- 35000 cph*	
- Double Parallel Fold	- 35000 cph*	
Max. Reel Diameter	1270 mm (50") for Flying Splicer or 1067 (42") for Unwind	
Web Width	Min. 600 mm (23½") Max. 915 mm (36")	
Printing Unit Modules	Mono, H and 4 Hi Tower with vertical web leads	
Cut-off Length	508 mm (20"), 533 mm (21"), 546 mm (21½"), 578 mm (22¾"), 598.5 mm(23½") & 630 mm (24¾")	
Plate Mounting	Toolless plate lock up	
Blanket Cylinder lock up	Narrow Gap Reel Rod type Blanket lock up	
Flying Splicer	Standalone, Integrated, 90° or Stacked placement	
Unwind	Standalone, Integrated or Stacked placement	
Bookline Folder	Jaw Folder with QF (chopper type) & DP	
Web Grammage	38 - 80 gsm (Max. 2 Webs) or 100 gsm (1 Web)	- 38 - 48 gsm (for 4 Webs on request)
Data Management	PLC based	
Drive Panel	AC Drive with Central PLC	
Standard Accessories	<ul style="list-style-type: none"> - Plate punching device - Plate bending device - Set of Tools - Screw Compressor with Air Dryer & Reservoir 	
		<ul style="list-style-type: none"> - Set of spare parts - Web trolley for loading - Centralised Chilled Water Tank
Optionals	<ul style="list-style-type: none"> - Close Loop Registration and Cut Off Control system - CIP3 interface to ManuColor for ink pre-setting - Shaftless Drive (footprint base) - Pneumatic clutch for Folder Engage-Disengage - Heat Set Package / UV Curing - 1/8 fold (for 630 mm cutoff) - OE System Integration - Stacker, Stitcher, Gluing, VDP i.e. Bar Coding, Digital Numbring 	
		<ul style="list-style-type: none"> - ManuColor Remote Ink Zone Control - Spray Dampening System - Driven Nip at Tower Entry - Full page Linear Cut-off compensator - Micro Perforation for Quarter fold



*Note: Actual performance and running speed as per folding diagram.



Manugraph India Ltd.,
 SIDHWA HOUSE, N.A.Sawant Marg, Colaba,
 Mumbai.400 005, INDIA
 Phone : +91-22-2287 4815/4788/1191/0620
 Fax : +91-22-2287 0702
 E-mail : sales@manugraph.com
 Website : www.manugraph.com