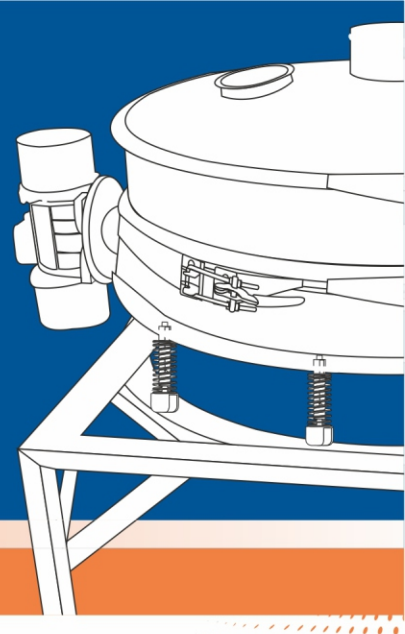
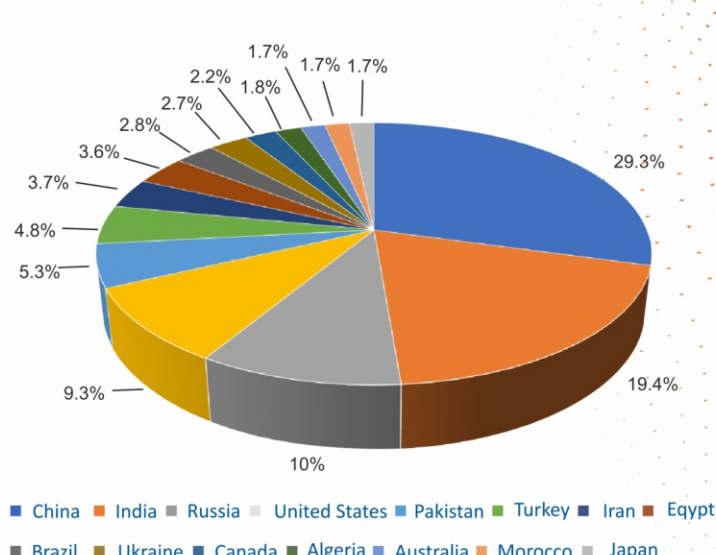


Flour Sieving Solution



Global Flour CONSUMPTION

Rank	Countries	Amount
#1	China	104,500 thousand metric tons
#2	India	69,000 thousand metric tons
#3	Russia	35,500 thousand metric tons
#4	United States	33,203 thousand metric tons
#5	Pakistan	18,750 thousand metric tons
#6	Turkey	17,000 thousand metric tons
#7	Iran	13,200 thousand metric tons
#8	Egypt	12,700 thousand metric tons
#9	Brazil	9,950 thousand metric tons
#10	Ukraine	9,725 thousand metric tons
#11	Canada	7,700 thousand metric tons
#12	Algeria	6,550 thousand metric tons
#13	Australia	6,200 thousand metric tons
#13	Morocco	6,200 thousand metric tons
#15	Japan	6,040 thousand metric tons
Total :		356,218 thousand metric tons
Weighted Average:		23,747.9 thousand metric tons



What World Is Eating With The Flour



PLASTIC

Flour can contain impurities in the form of plastic materials because of human intervention. This can be very much harmful if it is not removed before packaging.



METAL

Metal impurities are common in any of the processing industries, nuts & bolts and other small metal particles can harm the quality of flour.



INSECTS

Flour packed bags kept for a longer time may contain insect and other impurities. This can reduce the quality of flour. You may not like that your clients end up eating insects.

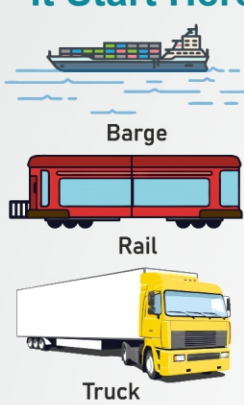


LUMPS

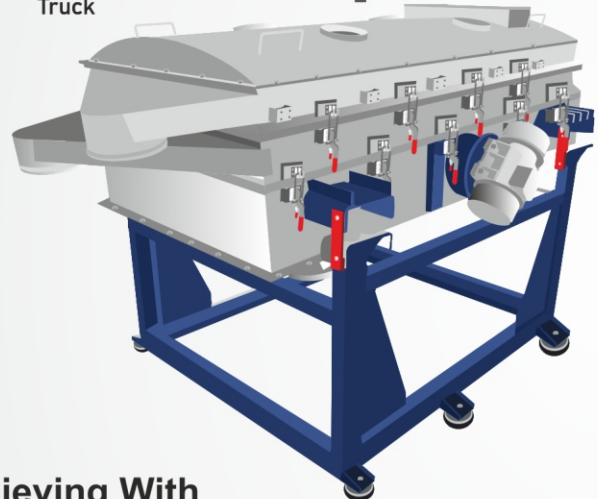
Due to humidity and environmental factors flour get lumps which reduces the product quality. The product needs to be sieved and again packed for delivery.

THE SOLUTION TO REMOVE IMPURITIES IS TO SIEVE WITH THE RIGHT SIFTER AT THE RIGHT PLACE.

It Start Here...

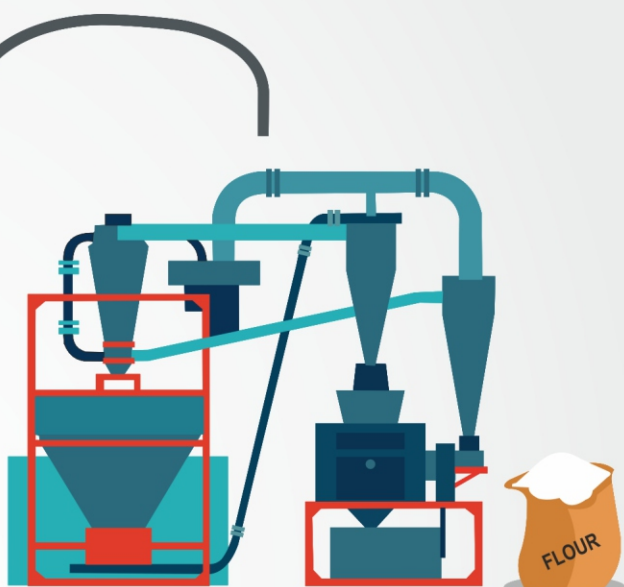


Stores the grain and take proper care of it.



Sieving With Linear Motion

Separates stones, sticks and other coarse and fine materials.



Milling

Cereal grains are ground into flour.



Sieving

Removes impurities and lumps to improve product quality.

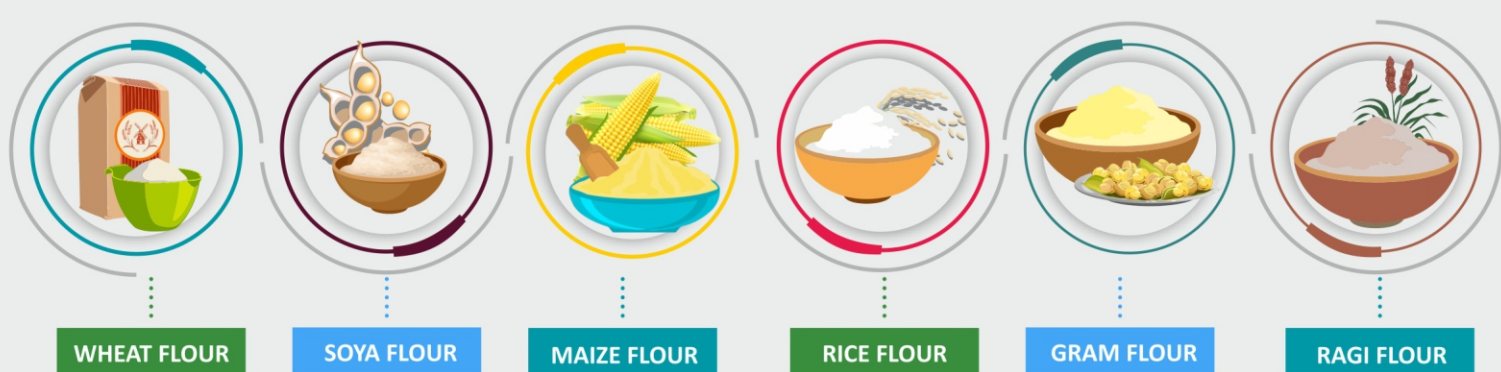


Packaging

Flour is finally packed for delivery.

DIFFERENT FLOURS CAN BE SIEVED THROUGH

RANGE OF SIVTEK SOLUTIONS



Benefits of sieving flour with SIVTEK Vibrating Sieve

HIGH THROUGHPUT CAPACITY

IMPROVES PRODUCT QUALITY

MAXIMUM EFFICIENCY OF THE PRODUCT

ACCURATE SCREENING OF FINE PARTICLES

Plot No. 1406, GIDC, Waghodia - 391 760, Dist. : Vadodara, Gujarat.

inq@galaxysivtek.com
91-2668-262970, 263170